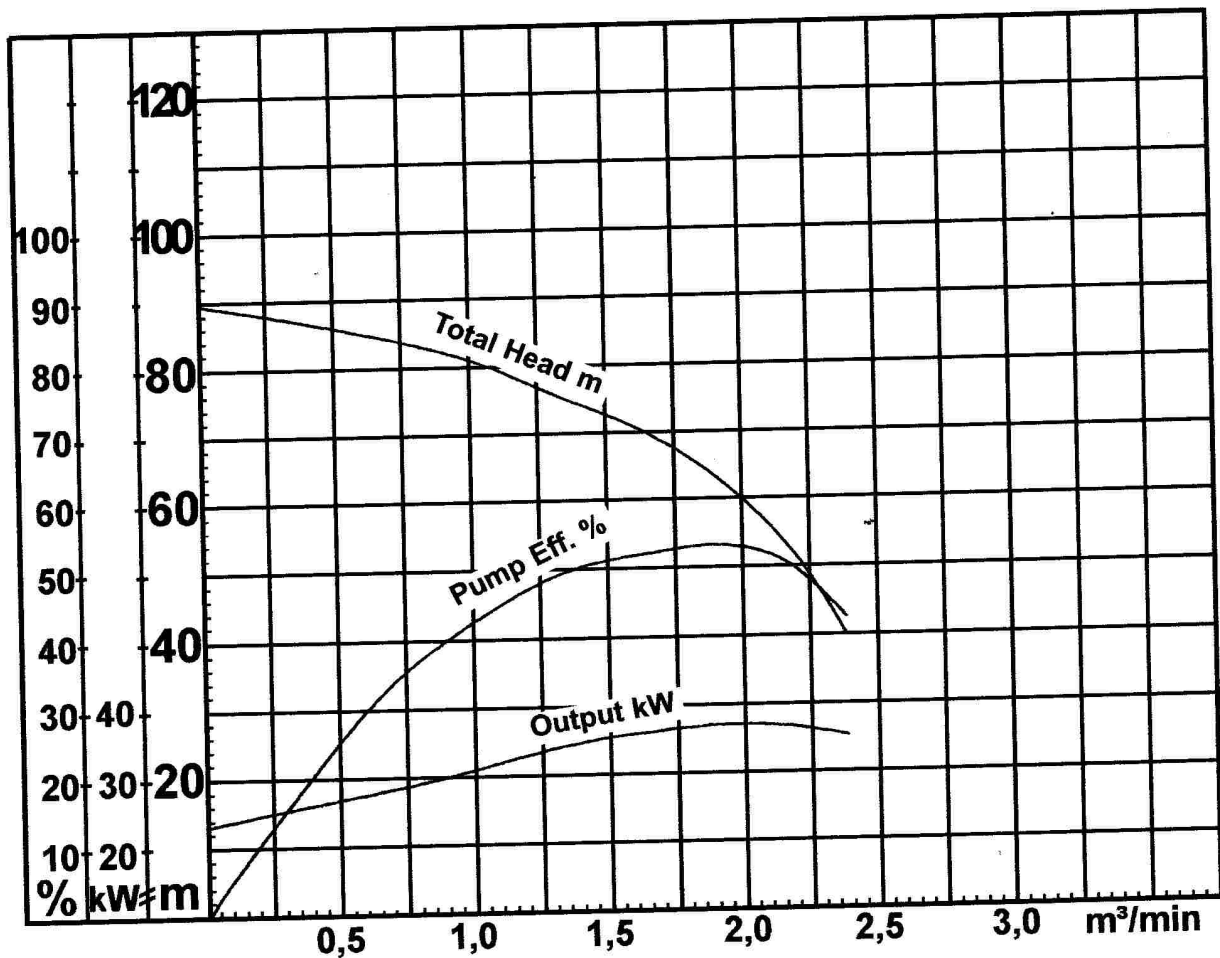


Pump Performance Curve

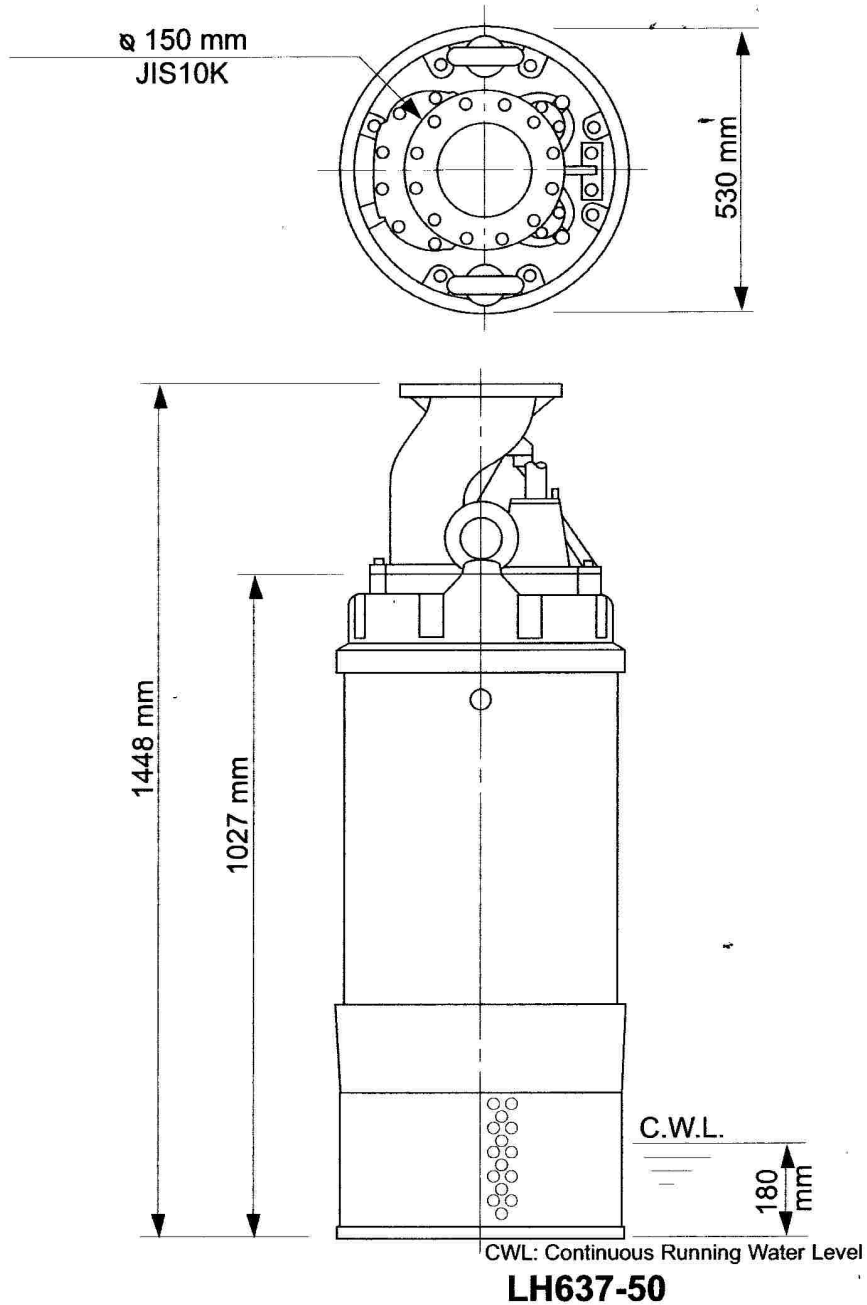
LH637-50

Discharge Bore	150 mm
Total Head	80,0/60,0 m
Capacity	1,0/2,0 m ³ /min
Motor Output	37,0 kW
Motor Input	42,0 kW
Phase	3
Voltage	400 V
Frequency	50 Hz
Rated Current	67,0 A
Starting Current	434,0 A
Poles	2
Revolution	S.S. 2850 r.p.m.
Starting Method	star delta
Insulation Class	F

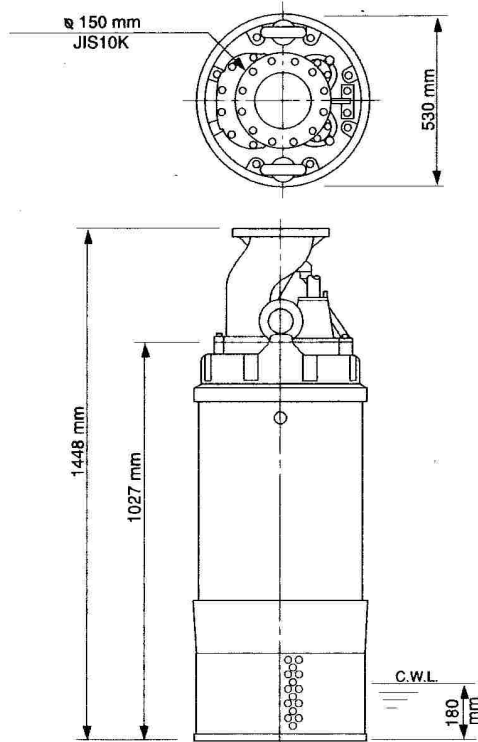


LH637-50 (A-04076-1)

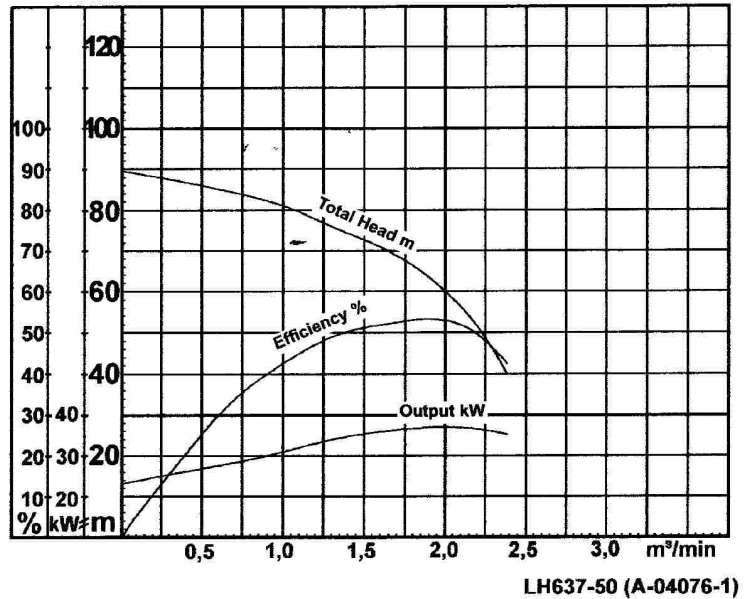
Dimensional Drawing LH637-50



Data Sheet LH637-50



LH637-50
C.W.L. = Continuous running water level



Classification

Electric submersible pump
Protection class IP68
Depth of submersion max. 100m
Closed type impeller
Max. solid handling 6mm
Suitable for rain water, ground water, sand carrying water

Electric Motor

Dry-type submersible induction motor,
Insulation class F, 2 poles, 2850 r.p.m.
Star / delta start
Voltage: 400V, 50Hz, 3-phase
Power input: 42,0kW
Power output: 37,0kW
Nominal current: 67,0A
Start current: 434,0A

Electric Cable

20m 9Cx22mm²

Motor Protection

Miniature protectors in windings
(snap-action bi-metal device)

Shaft Seal

Double mechanical seal in oil bath
additional lubrication by oil lifting device
Primary Seal:
silicon carbide on silicon carbide
Secondary Seal:
silicon carbide on carbon

Bearings

Shielded ball bearings, maintenance-free

Materials

Impeller:	Chromium iron casting
Casing:	FC200 (EN-GJL-200)
Mouth ring:	Chromium iron casting
Motor frame:	FC200 (EN-GJL-200)
Shaft:	SUS420J2 (EN-X30Cr13)

Discharge Connection

6" (150mm) JIS10K flange

Weight

495 kg (dry weight of the pump without cable)



Tsurumi Europe GmbH
12.07.2001

Heltorfer Str.16 • 40472 Düsseldorf • Germany
Tel.: +49-211-4179373 • Fax: +49-211-4791429
Sales@tsurumi-europe.com • www.Tsurumi-Europe.com