

FLELE



Floating Element Module

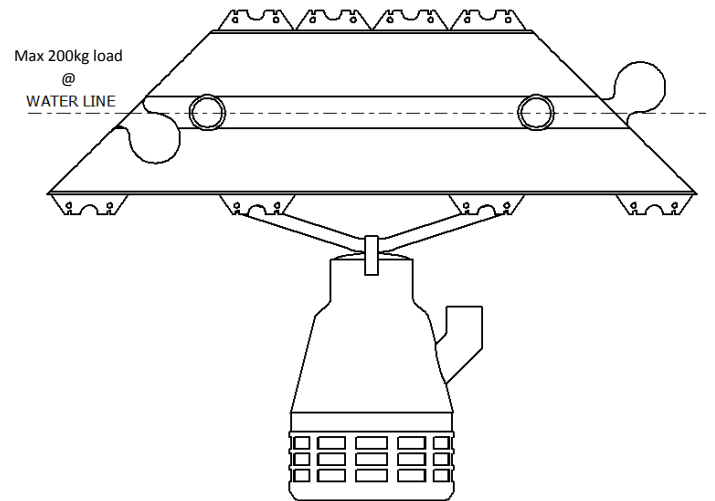
The FLELE, a "floating element" comprises of an elongated tubular buoyant body that has a male connector and a female connector at either end. Interlocking stanchions, tabs or fairlead frames are moulded on two of its four sides furthermore it can have HDPE pipes welded in place, connecting the remaining two sides.



These Floating Elements (FLELE) fit into one another much like jig-saw puzzle pieces. The modular design allows for a variety of configurations to be assembled and is almost unlimited in how long or large the final floating construction can be.

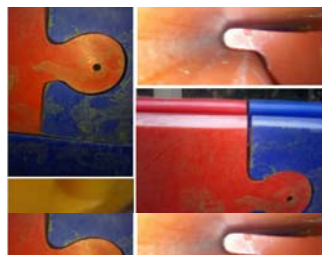
The male and female connectors enable the FLELE to be inter connected with other FLELE'S and FUZZLE pieces while the puzzle shape of the connectors ensure that the loads and resultant stresses are diffused over a large area maximising durability.

The connectors can be engaged to form a square, oblong, triangle or multi faceted floating structure or they can be axially coupled to form pontoons.



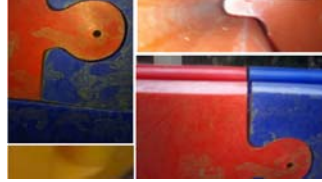
The HDPE pipes inserted and welded into the element sides accommodate 89mm OD galvanised steel or or stainless steel piping, creating a pipe saddle support for structural struts, horizontal ties or when fitted with restraints, hanger rod sways.

Patent Pending WO2014/085833
Design Registered USA 29/456,006
SA F2012/02085 & 075
TACON SYSTEMS
Australian No. 349686
European Design. No. 001373450

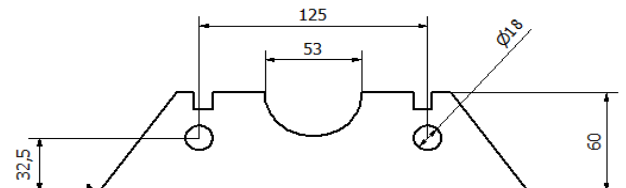
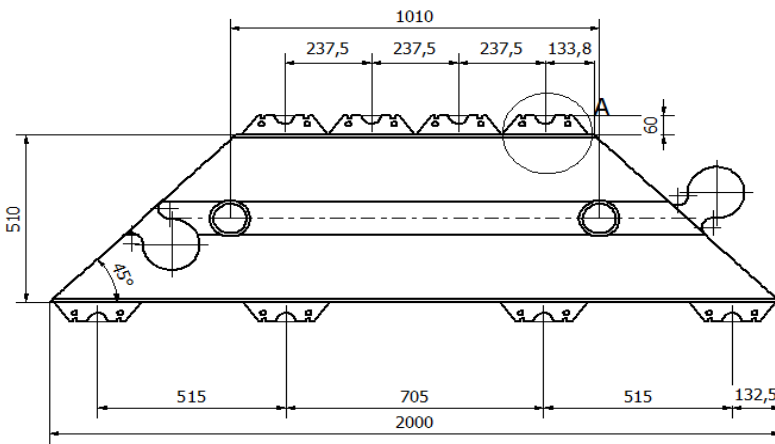
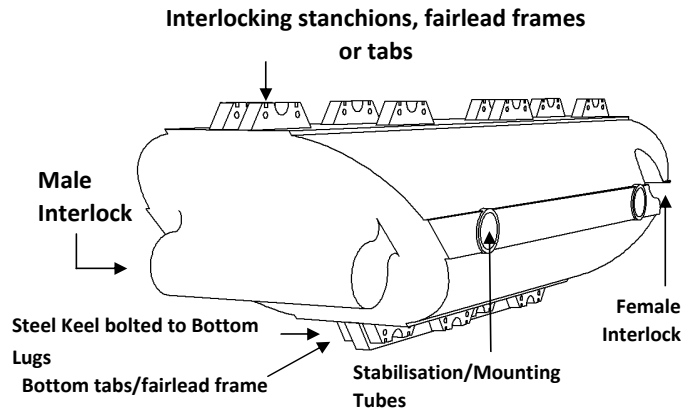


Modular Floats
Easily Transportable
Tough
Safe - Closed Cell Foam
Acid Tolerant

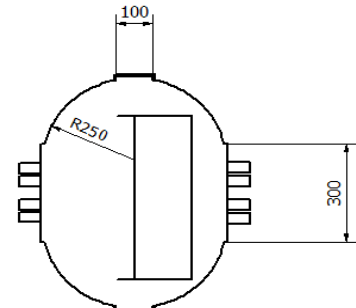
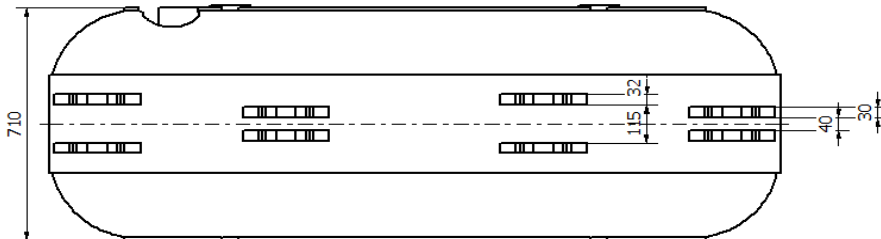
FLELE



The stanchions, fairlead frames and tabs can accommodate a rigid ladder frame, keel and or steel or nylon stringers increasing the rigidity of pontoon structures while providing a robust section to attach decking or machinery to. The interlocking tabs and fairlead frames when bolted together with stringers spread the load increasing the load capacity, increasing the potential size and combined buoyancy of the platform or raft.



A (1:2)



Eye-Bolts serving a dual purpose, bolting galvanised or stainless steel frames together while being used as a rope tie point

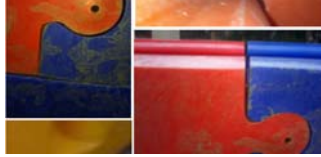
The fairlead frame mounts and tabs can be filled with semi rigid cast polyurethane, thereby promoting durability and strength. The FLELE is rotor moulded from low density polyethylene which is filled with semi rigid closed cell polyurethane foam ensuring safe flotation of the FLELE even if holed. The dimensions as outlined across the page are indicative of the possible designs sizes, however current updated dimensions and drawings can be supplied on request.

Patent Pending WO2014/085833
 Design Registered USA 29/456,006
 SA F2012/02085 & 075
 TACON SYSTEMS
 Australian No. 349686
 European Design. No. 001373450



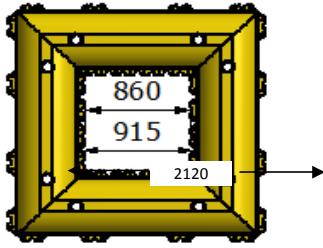
Modular Floats
 Easily Transportable
 Tough
 Safe - Closed Cell Foam
 Acid Tolerant

FLELE

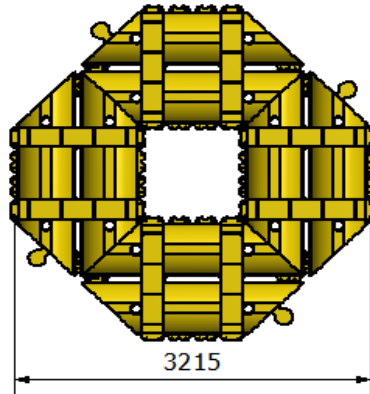


FLOATING PUMP PLATFORM

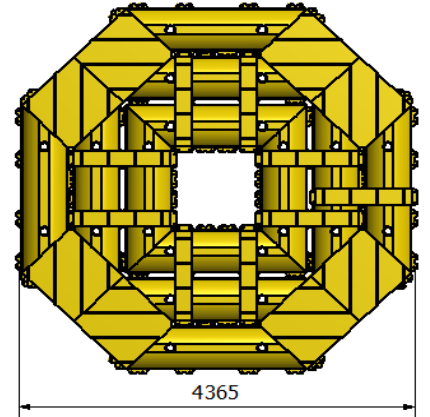
FLELE BARGE



4 – FLELE X 45°
Load capacity 720kg

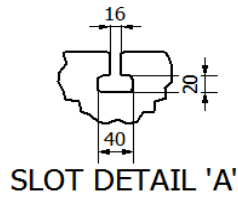
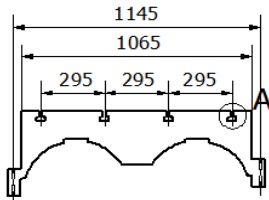
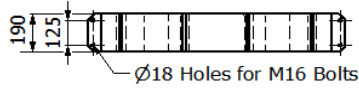


8-FLELE X 45° with saddles
Load capacity 1360kg

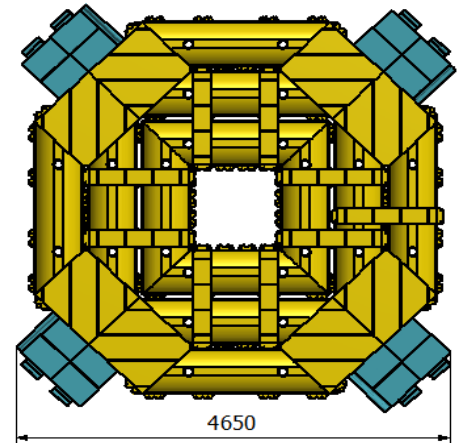


12-FLELE X 45° with Saddles & Corners
Load Capacity 2860kg

LOADS 50% SUBMERGANCE
DECKING CRANES AND LIFTING
EQUIPMENT DETAILS AVAILABLE
ON REQUEST



FLELE Saddle



12-FLELE X 45° with Saddles, Corners
& 8 x FUZZLE components
Load capacity 3360kg

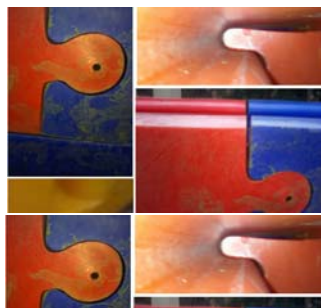
FLELE PONTOON RAFT FITTED WITH DEPTH INDICATOR



2 x FLELE PONTOON
Load capacity 220kg



Patent Pending WO2014/085833
Design Registered USA 29/456,006
SA F2012/02085 & 075
TACON SYSTEMS
Australian No. 349686
European Design. No. 001373450

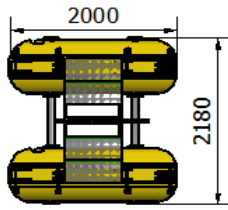


Modular Floats
Easily Transportable
Tough
Safe - Closed Cell Foam
Acid Tolerant

FLELE

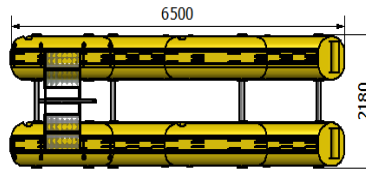


**FLELE'S INCLUDING FRAME
& POLYURETHANE FILLING
EXCLUDING DECK / CRANE**



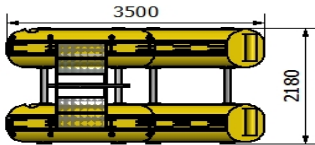
2 FLELE RAFT

Weight	Load Capacity
220kg	220kg



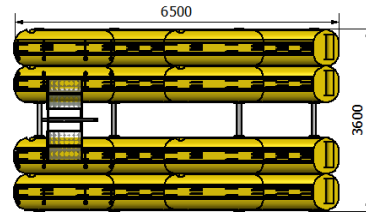
8 FLELE RAFT

Weight	Load Capacity
610kg	1150kg



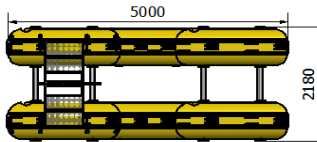
4 FLELE RAFT

Weight	Load Capacity
400kg	480kg



16 FLELE RAFT

Weight	Load Capacity
1120kg	2400kg



6 FLELE RAFT

Weight	Load Capacity
500kg	820kg

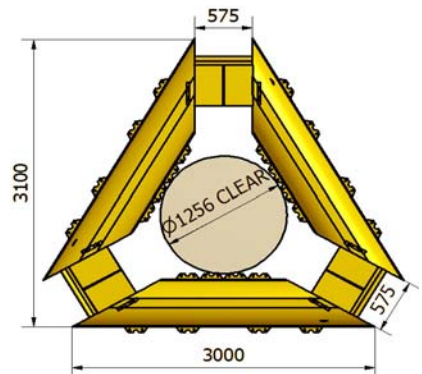
15mm Ø Safety Rope and anchor ropes can be secured through outer tabs



FLELE TRI & FUZZLE

Weight	Load Capacity
194 kg	765kg

The two tabs mounted on the FLELE at the apex of the triangle are suitable to securing tripod feet

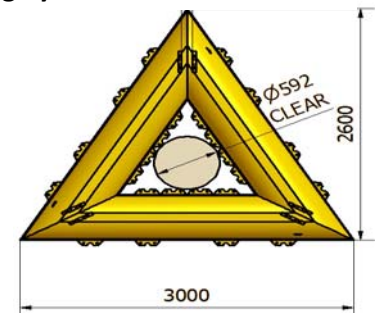


The tripod centres are 1967mm apart. Maximum height under lifting eye 1800mm



3 x 30° FLELE TRI

Weight	Load Capacity
148 kg	578kg



CREW ENGINEERING (PTY) LTD
 Reg No. 2001/021052/07
 VAT No. 4400205342
 139 Voortrekker Ave, Edenvale
 P.O. Box 700, Edenvale, 1610
 South Africa
 Tel: +27 (011) 609 4030
 Fax: +27 (011) 452 6778
 Email: info@crewe.co.za
 Email: nocat@mweb.co.za

Patent Pending WO2014/085833
 Design Registered USA 29/456,006
 SA F2012/02085 & 075
 TACON SYSTEMS
 Australian No. 349686
 European Design. No. 001373450



CREW

Modular Floats
 Easily Transportable
 Tough
 Safe - Closed Cell Foam
 Acid Tolerant