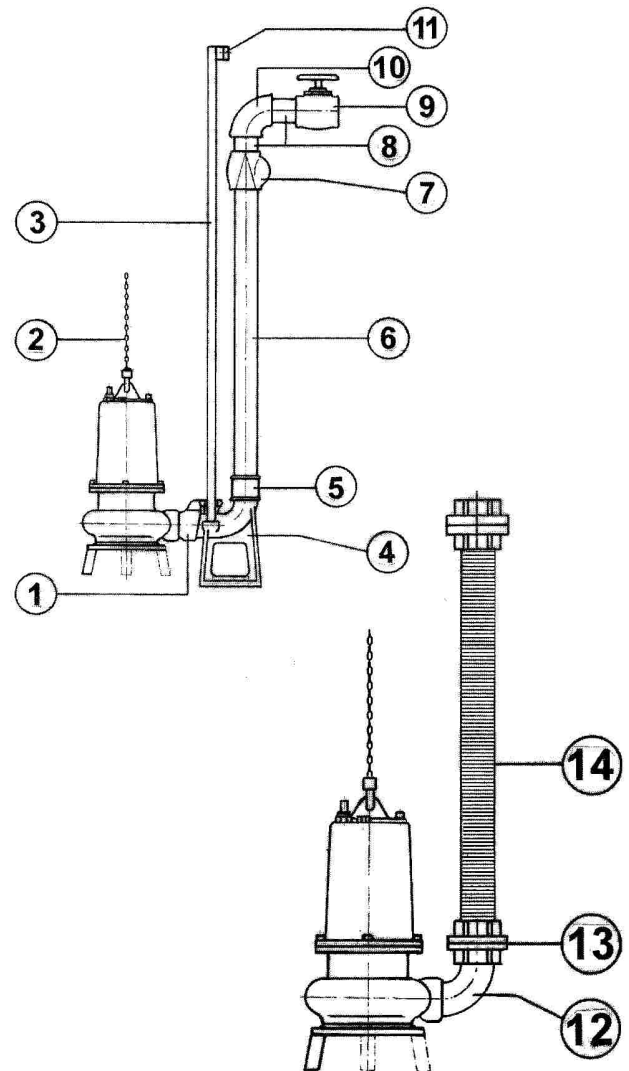
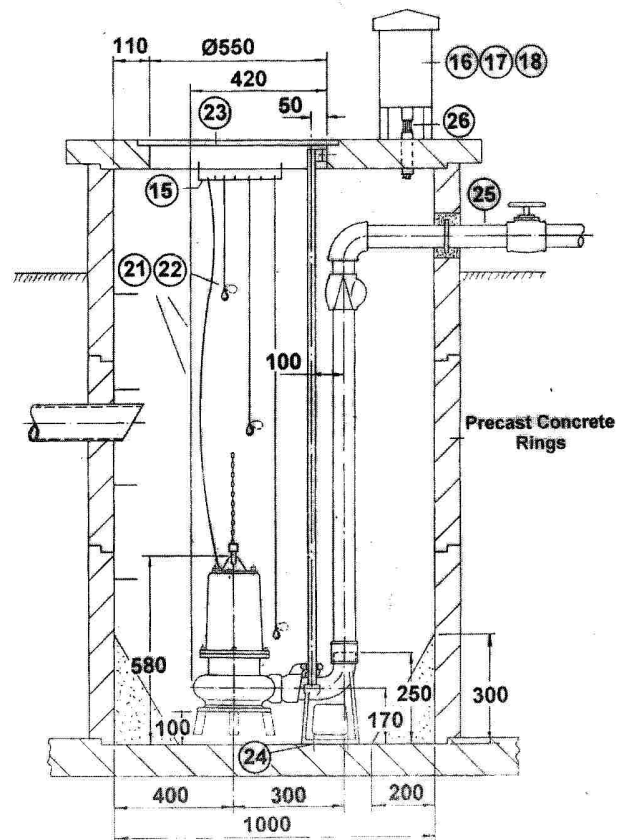


Accessories

All dimensions in mm

Part Description	Dimension	Part No.
1. Cast iron 50mm through let auto coupling and 25mm guide claw	DN50	10406
2. Steel galvanised lifting chain 8mm diameter and steel galvanised shackle Size 1	2m 5m 10m 15m 20m 30m	11303 11305 11306 11307 11308 11309
3. Steel galvanised guide rails, pair per m	DN25	10505
4. Cast iron pedestal vertical female 50mm Discharge	DN50	10610
5. Guide Bar holder drill M12 for DN25 bars		10611
6. Steel discharge pipe per m	DN50	10507
7. Cast iron swing check valve	BSP 2"F	11205
8. Galvanised double nipple	BSP 2"M	10508
9. Bronze gate valve	BSP 2"F	11206
10. 90° Galvanised elbow	BSP 2"F	10518
11. STORZ fixed cpl	B-2"F	10408
12. 90° Galvanised elbow	BSP 2"M	10509
13. STORZ -hose cpl	C-BSP2"F	10407
14. Kanaflex pressure hose with PVC lining and couplings internal 50mm dia. Yellow max 480KPA. Max 60°C 110m bending radius	Length 2m Length 5m Length 10m Length 15m Length 20m Length 30m	10510 10513 10514 10515 10516 10517
15. Level control cable rack		11004
16. Control panel 380v for single pump stations 3PH with overload 2,5-4,1A protection & on off switch nominal current		11601
17. Control panel 220v 1PH for single phase without level control with overload protection on off switch and capacitor		11602
18. Control panel 380v dual pump auto operation with level control alarm 3PH overload prot on/off switch		11603
19. As per (16) 500v		11604
20. As per (18) 500v		11605
21. Level control unit (mercury switch)	6m 13m	11606 11608
22. Level control unit (micro switch)	6m 13m	11607 11609
23. Manhole cover for concrete ring station	Dia 1000mm Dia 1500mm	10313 10314
24. Rawlbolts	M12X70	12031
25. Pipe 500mm with puddle flange	DN50	10409
26. Vent pipe 200mm high 2" BSP	2 x 1 x 1 x	10518 10508 10409
27. T piece 'F' 2"BSP	DN50	10519
28. Extra cable per m Permo F/Proof		11301 11311
29. Union	2" BSP	10420
30. Tandem Suction Cover Vortex		10301 10304



CREW

Distributed by:

C.R.E.W. Engineering (Pty) Ltd

Reg. No. 2001/021052/07 VAT No. 4400205342

139 Voortrekker Avenue, Edenvale

PO Box 700 Edenvale 1610, South Africa

Tel 011 609-4030 • Fax 011 452-6778

E-mail: info@crewe.co.za • Website: www.crewe.co.za