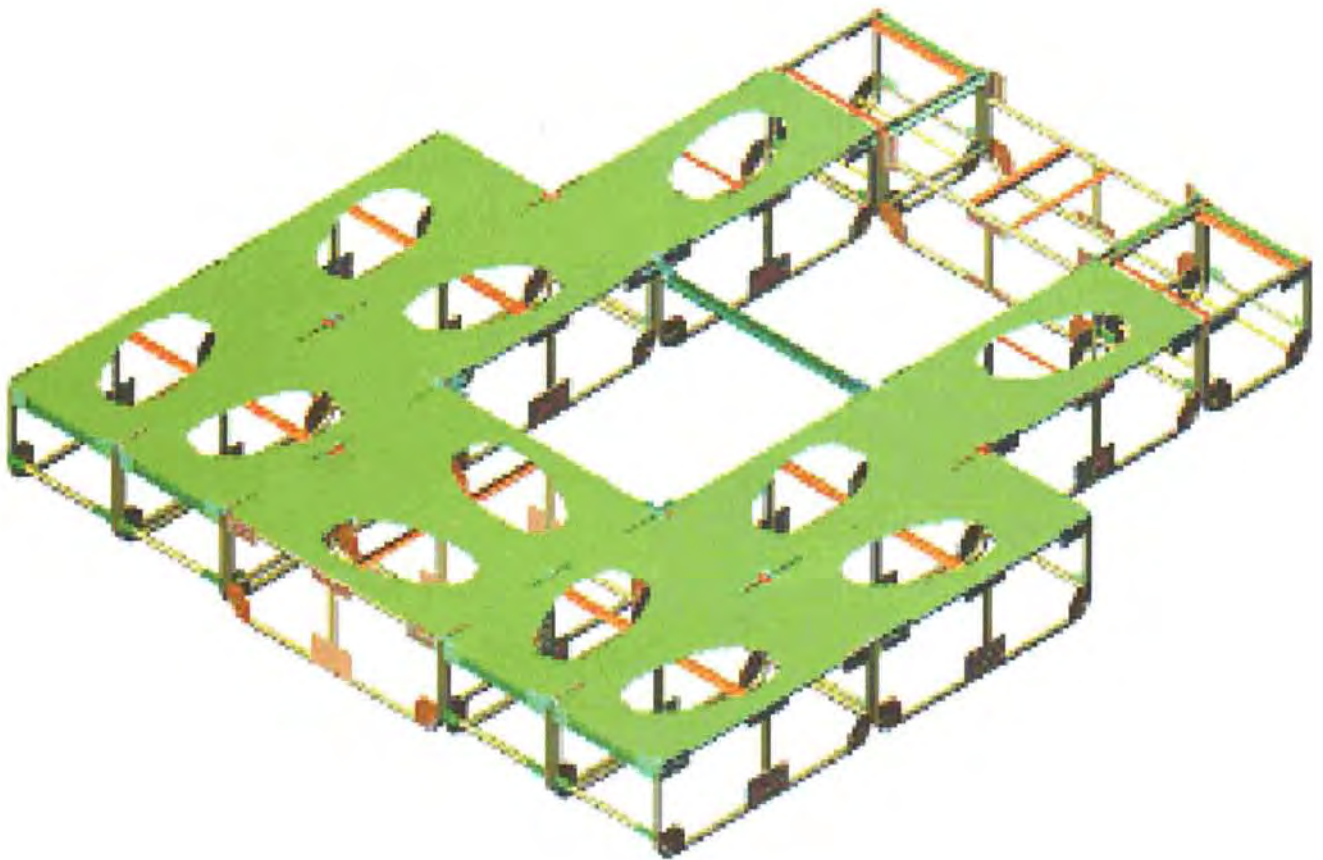


CREW

Barges, Pontoons, Rafts, Work Decks, Floating Jetty's



Easily Transportable
Tough & Safe
Standard Components
100% SA Manufactured
Variety in Design & Layout

CREW has designed and built a range of pump support systems.

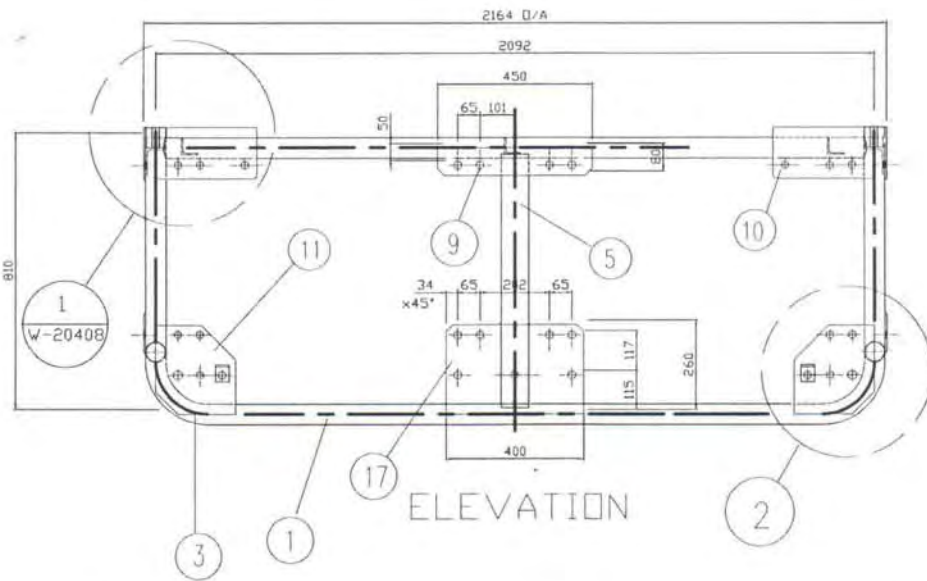
The key benefits of choosing a CREW barge or work deck are:

1. Ease of Transport due to the modular design
2. Wide choice of layout
3. Variability of ballast to alter trim and stability
4. Simplicity of design
5. Increased safety and dependability due to modular construction
6. Strength due to Robust schedule piping framework and finite element engineered cross bracing design
7. Robust M20 securing points

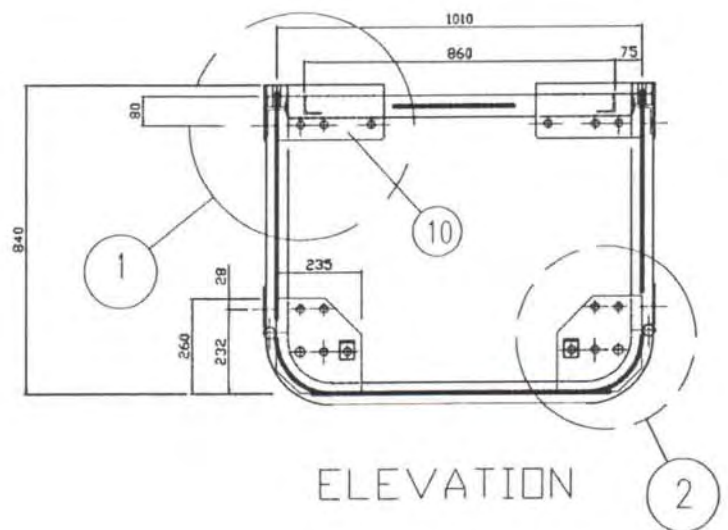
Technical Specification: Pipe Modular Barge

Average Load Capacity: **300Kg/m³**
 Minimum Barge Load Capacity: **500Kg**
 4 Floats & Ballast
 Maximum Load Capacity - Point Load: **3000Kg**
 Maximum Capacity - 6 off pontoons: **3500Kg**
 3,246m x 4,328m = 12 Floats
 24 Pontoons: **14000Kg**
 4,328m x 12,984 = 48 Floats
 48 Pontoons: **28000Kg**
 8,628m x 12,984m = 96 Floats

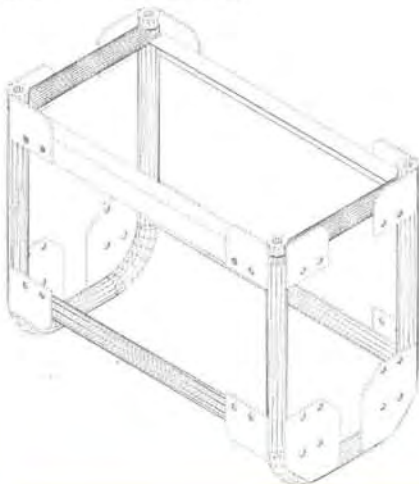
Pipe Module 2 Pontoon



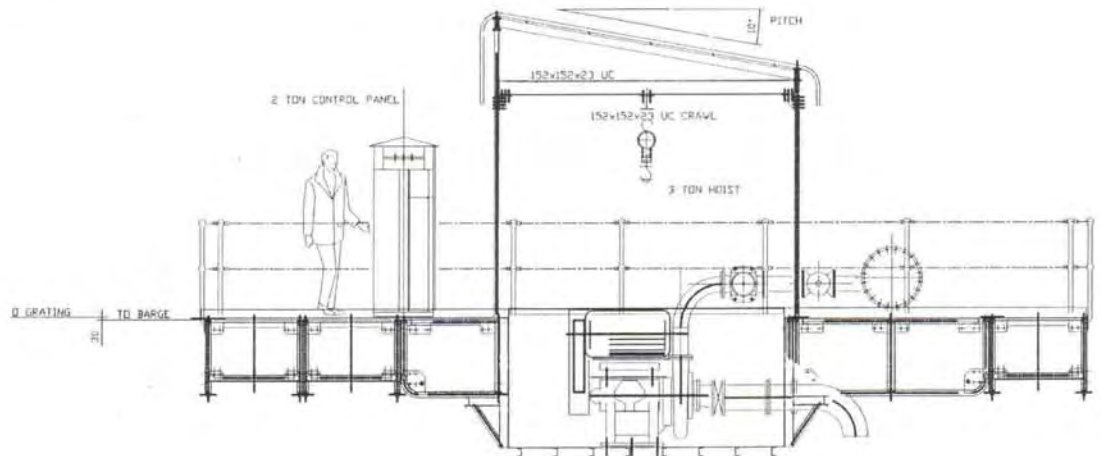
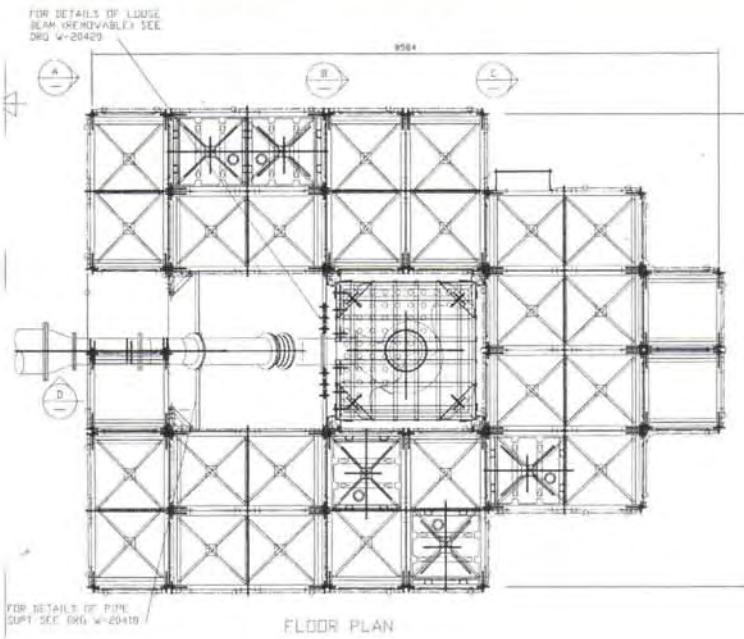
Pipe Module 1



Pipe Module 0,5



Assembled Pipe Modular Barge



Technical Specification T Barge

4 Float

Average Load Capacity - 150Kg

Allowances:

2 Persons - 300Kg

Ballast / Hoist / Chain - 50Kg

Max Load Capacity - 500Kg

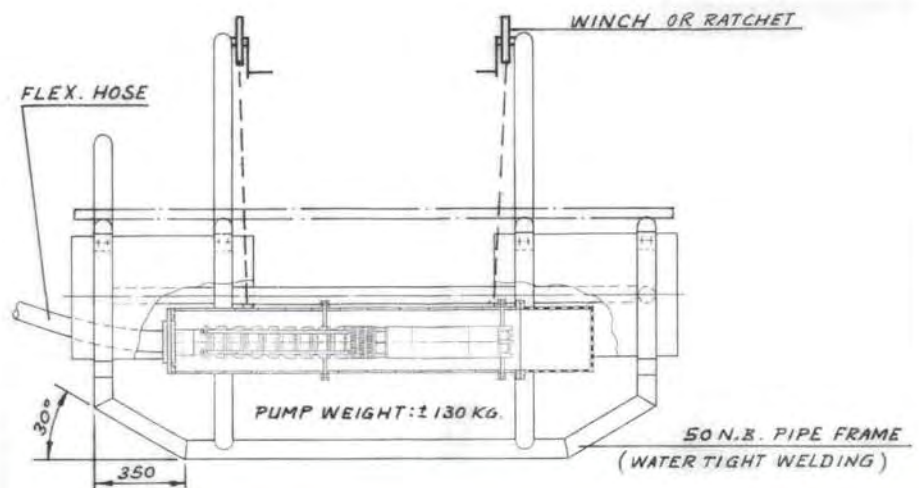
8 Float

Average Load Capacity - 450Kg

Allowances:

2 Persons - 300Kg

Ballast / Hoist / Chain - 50Kg



Technical Specification M Kit Barge

- Floats - Rigid Low Density Polyprop 6mm complete with ballast valves (,9m x 1m x 0,6m)
- Deflatable Tank and load spreaders (0,9m x 1m x 0,1m)

Corner & Extension Castings - SG Iron or Aluminium

Piping NB50 - Schedule 40 Mild Steel cut and drilled to match floats

Tie Rods - 10mm Ø round bar threaded

Deck or Float Fiberglass comp -

Floor Grating RS40 Mentis (30 x 4,5)
(0,9m x 1m x 0,03m) Stanchions & Chain
(No Kick flat)

A-Frame - to suit layout bolted 1 to 3 Tonne capacity

Bolts & Nuts - M12 & M200 Galvanised or S/Steel

